



ZIGGIOTTO

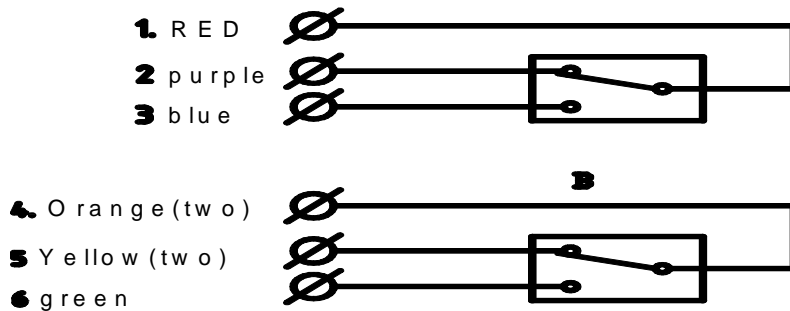
CONNESSIONE ELETTRICA VALVOLA A FARFALLA

● Working Principle

1. The valve can fulfill the function of open and close and flow control by the worm-gear box, driving stem and disc.
2. The valve can be operated and regulate fluid by turning the handwheel on the gearbox. Clockwise is for close.
3. There are two micro switches, which will be on duty when the valve is on status of full open or full close, in the gearbox. It can indicate the valve status correctly by connecting the power supply of the indicating lamps for open and close.

Features: a) Both the two switches work at the same time following the same working principle, which can play roles of double guarantee. b) It can connect three places according to customers' different requirements: indication at local, control room and general control room.

● Drawings for the connection of electric equipments and switches

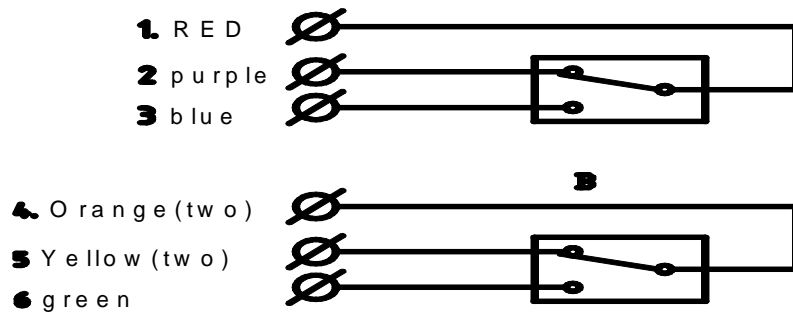


Connection of the switches

- Switch A (1) Red line is for power supply connection
(2) Purple line is for close connection (Acting when valve full closed)
(3) Blue line is for open connection (Acting when valve full opened)

- Switch B (4) The two orange lines are for power supply connection.
(5) The two yellow lines are close connection (Acting when valve full closed)
(6) Green line is for ground connection.

The specification of the switches is 220V 1A



1. ROSSO
2. VIOLA
3. BLU
4. ARANCIO (2)
5. GIALLO (2)
6. VERDE

SWITCH A

1. La linea rossa va collegata alla rete
2. La linea viola è per il collegamento chiuso (attivo quando la valvola è completamente chiusa)
3. La linea blu è per il collegamento aperto (attivo quando la valvola è completamente aperta)

SWITCH B

1. Le due linee arancioni sono per il collegamento alla rete
2. Le due linee gialle sono per il collegamento chiuso (attivi quando la valvola è completamente chiusa)
3. La linea verde è per la massa a terra.

La specifica degli interruttori è 220 V 1 A