



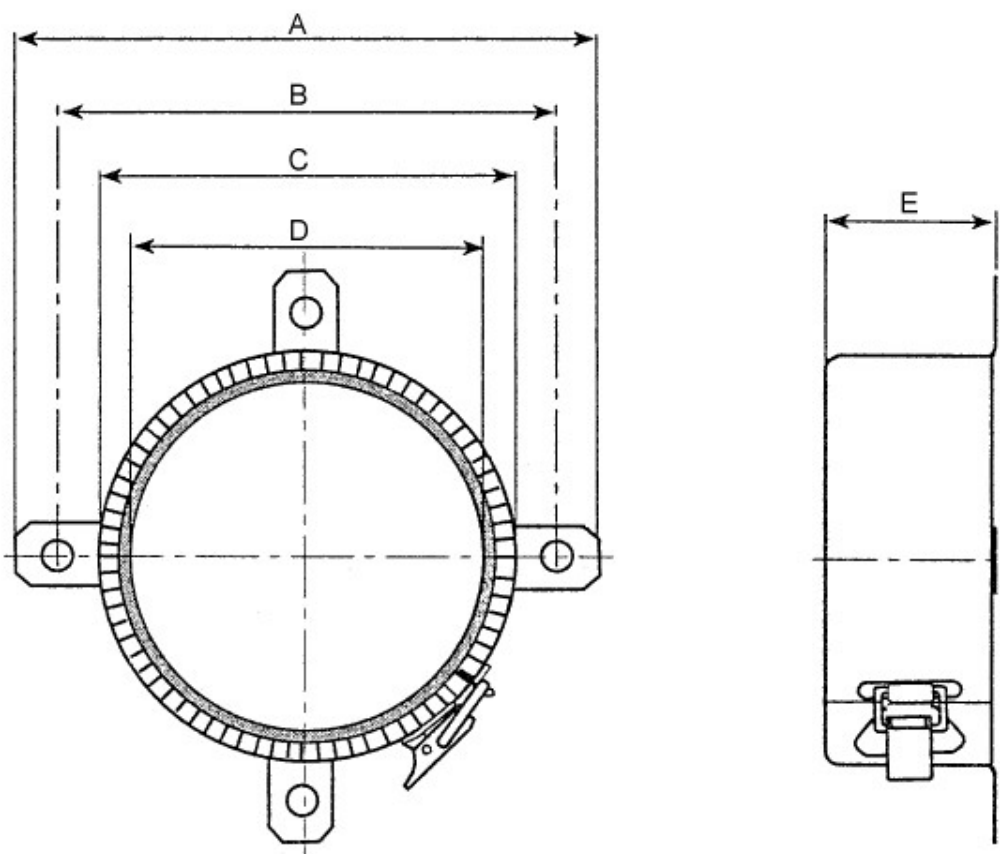
ZIGGIOTTO

PIPE COLLAR SPECIFICATIONS

- Thickness of steel cover -1mm
- Temperature when inlay start expanding – 180c
- Density of inlay – See chart
- What kind of anchor/screw we must use to install collar – SW8 MM5-SS 6.0 X 50mm long Multi –Monti Steel self tapping anchor screws for masonry walls or concrete floors

18/11/09

32mm long dry wall screws for Gypsum wall constructions



LP.	TYPE OF COLLAR	MEASUREMENTS					THICKNESS OF INLAY mm	NUMBER OF FASTENINGS	WEIGHT Kg
		A mm	B mm	C mm	D mm	E mm			
1	2	3	4	5	6	7	8	9	10
1	2/32	92	78	42	32	60	4	4	0.10
2	2/37	102	88	52	41	60	4	4	0.15
3	2/40	102	88	76	56	60	4	4	0.15
4	2/43	105	95	55	45	60	4	4	0.15
5	2/55	122	109	73	56	60	4	4	0.20
6	4/55	122	109	73	56	60	8	4	0.25
7	2/63	132	120	82	64	60	8	4	0.30
8	2/75	142	132	92	76	60	8	4	0.35
9	2/82	151	137	101	83	60	8	4	0.35
10	2/90	159	145	109	91	60	8	4	0.40
11	2/110	180	167	130	112	60	8	4	0.45
12	4/110	190	175	135	110	60	12	4	0.60
13	2/125	205	195	155	125	60	12	4	0.70
14	4/125	212	200	160	122	60	16	4	0.85
15	2/160	252	238	202	162	60	20	6	1.35
16	2/200	315	300	300	265	60	24	6	1.85
17	225	330	316	280	230	200	24	6	4.80
18	250	360	346	310	260	200	24	6	4.85
19	275	386	368	337	278	225	28	8	6.95
20	300	426	412	376	310	225	32	8	8.25
21	315	441	427	391	325	225	32	8	8.75
22	355	480	465	429	360	250	36	8	12.35