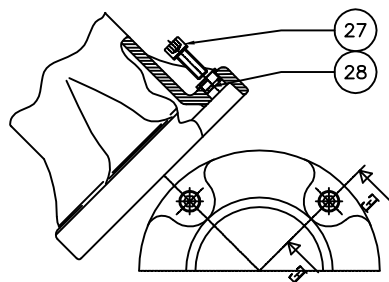
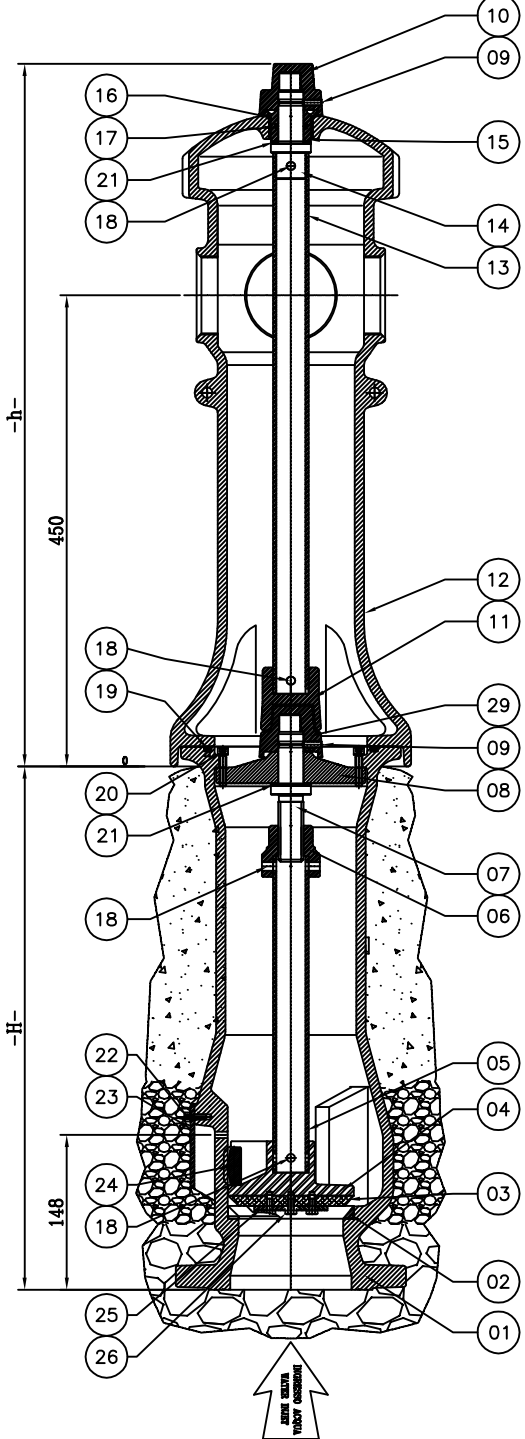


sez E-E

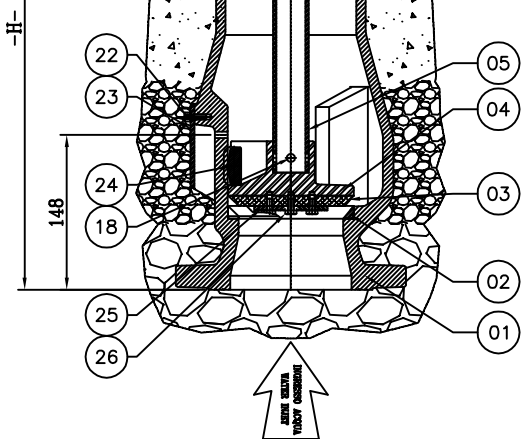
sez A-A



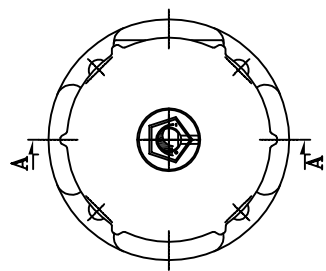
ATTENTION

Depending on the number of outlets, please add:
 06= outlets 2x70 21= outlets 2x70 1x100 23= outlets 3x70 1x100
 at the end of the code of Hydrant.

Sale Code	DN	Buried H=	Fusion Codes	Shaft Code Pos. 13	Shaft L=	Shaft Code Pos. 05	Shaft L=
SP3151	080	500	0941	3A0028Z0	517	3A0029Z0	302.5
SP3152	080	700	0941/0942	3A0028Z0	517	3A0030Z0	502.5
SP3153	080	1000	0941/0943	3A0028Z0	517	3A0031Z0	802.5
SP3161	100	500	0951	3A0028Z0	517	3A0029Z0	302.5
SP3162	100	700	0951/0952	3A0028Z0	517	3A0030Z0	502.5
SP3163	100	1000	0951/0953	3A0028Z0	517	3A0031Z0	802.5
SP3191	150	500	0961	3A0041Z0	686	3A0042Z0	285
SP3192	150	700	0961/0962	3A0041Z0	686	3A0043Z0	485
SP3193	150	1000	0961/0963	3A0041Z0	686	3A0044Z0	785



29	Male Pentagon lower	GJL-250 - UNI EN 1503-3	1
28	Axle-boxes of breach	Stainless Steel	4
27	Screw	Stainless Steel	4
26	Screw T.E.	Stainless Steel	1-3
25	Washer Inox	Stainless Steel	1
24	Seal	NBR	1
23	Cover for drain hole	Steel	1
22	Screw TCEI	Steel	1
21	Washer Teflon	Teflon	2
20	Screw TCEI M06 x 30	Stainless Steel	2
19	O-RING	NBR	1
18	Parallel pin	A2 Stainless Steel	4
17	O-RING	NBR	1
16	O-RING	NBR	1
15	Bush	Brass 52	1
14	Actuation closing hydrant NEW ZIG	Stainless Steel	1
13	Pipe upper ADR	Galvanized Steel	1
12	Body upper	GJL-250 - UNI EN 1503-3	1
11	Female Pentagon	GJL-250 - UNI EN 1503-3	1
10	Male Pentagon	GJL-250 - UNI EN 1503-3	1
09	Screw UNI 5927	Stainless Steel	1
08	Devoius adhesion	GJL-250 - UNI EN 1503-3	1
07	Screw closing hydrant NEW ZIG	Stainless Steel	1
06	Nut screw	Bronzo ASTM B62	1
05	Pipe AD	Galvanized Steel	1
04	Stand Valve for	GJL-250 - UNI EN 1503-3	1
03	Seal Valve	NBR	1
02	Closure Ring x Valve	Brass 52	1
01	Body inferior	GJL-250 - UNI EN 1503-3	1



ATTENTION
 h= 680

Size	Description	Material	Pc
TOLLERANZE / TOLERANCES			
LUNGHEZZA / LENGTH	ANGOLI / ANGLES	SMUSSI / BEVELS	RAGGI / RADIUS
INDICE NATURA DELLA MODIFICA DATA FIRMA			
UNI - ISO 27168 m DENOMINAZIONE / DENOMINATION			
PILLAR HYDRANT GARDA UNI EN 14384 TYPE C			
FORI / HOLES H13	ALBERI / SHAFTS H13	SCALA / SCALE 1:7 SU (A4)	DISEGNATO / DRAWN DATA S BR 04/08/2015 FIRMA
DUREZZA / HARDNESS PESO / WEIGHT		VERIFICATO / CONTROLLED DATA FIRMA	
RESISTENZA / STRENGTH TRATTAMENTO / TREATMENT		CODICE / CODE sez-Art2 IN Rev.2	

A termini di legge è vietato l'uso, la divulgazione e la riproduzione senza l'autorizzazione scritta della ZIGGIOTTO & C.