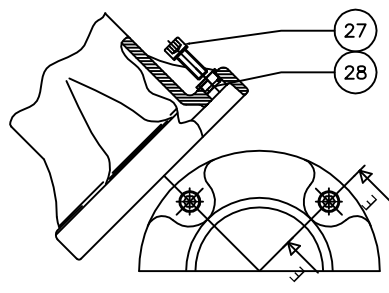
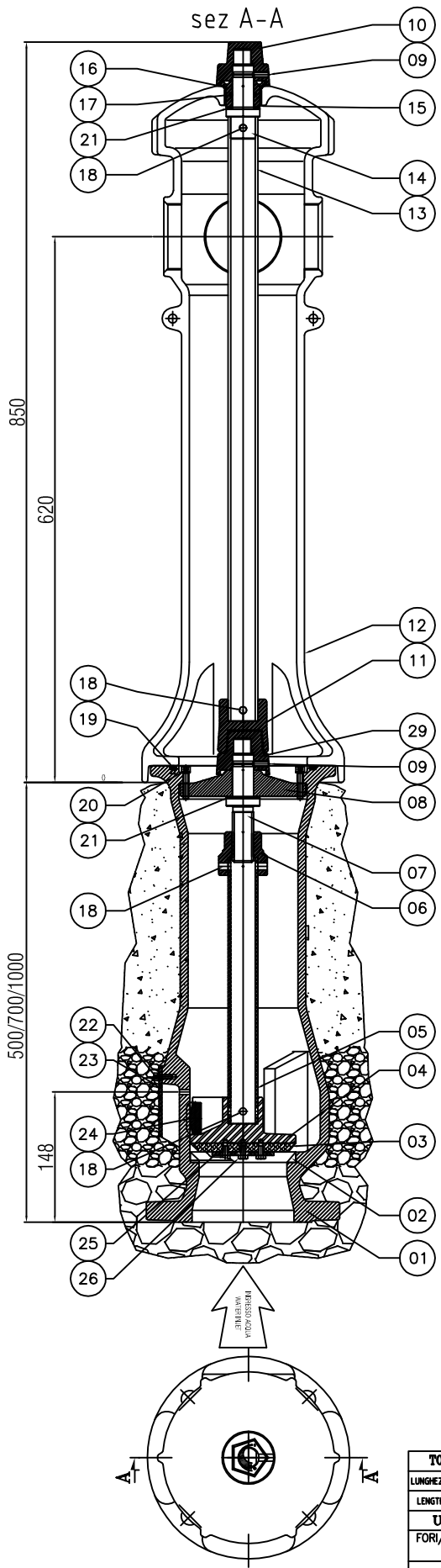


sez E-E

sez A-A



A

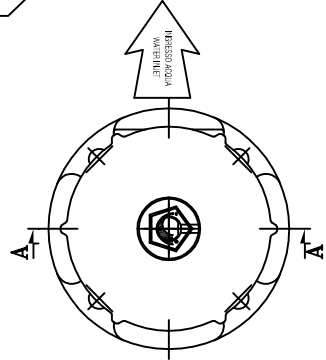
B

C

D

E

29	Male Pentagon lower	GJL-250 - UNI EN 1503-3	1	
28	Axle-boxes of breach	Stainless Steel	4	
27	Screw	Stainless Steel	4	
26	Screw T.E. M	Stainless Steel	1-3	
25	Washer Inox	Stainless Steel	1	
24	Seal	NBR	1	
23	Cover for drain hole	Steel	1	
22	Screw TCEI	Steel	1	
21	Washer Teflon	Teflon	2	
20	Screw TCEI	Stainless Steel	2	
19	O-RING	NBR	1	
18	Parallel pin	A2 Stainless Steel	4	
17	O-RING	NBR	1	
16	O-RING	NBR	1	
15	Bush	Brass 52	1	
14	Actuation closing hydrant NEW ZIG	Stainless Steel	1	
13	Pipe upper ADR	Galvanized Steel	1	
12	Body upper	GJL-250 - UNI EN 1503-3	1	
11	Female Pentagon	GJL-250 - UNI EN 1503-3	1	
10	Male Pentagon	GJL-250 - UNI EN 1503-3	1	
09	Screw UNI 5927	Stainless Steel	1	
08	Devoius adhesion	GJL-250 - UNI EN 1503-3	1	
07	Screw closing hydrant NEW ZIG	Stainless Steel	1	
06	Nut screw	Bronzo ASTM B62	1	
05	Pipe AD	Galvanized Steel	1	
04	Stand Valve for	GJL-250 - UNI EN 1503-3	1	
03	Seal Valve	NBR	1	
02	Closure Ring	Brass 52	1	
01	Body inferior	GJL-250 - UNI EN 1503-3	1	
Size	Code	Description	Material	Pc



ATTENTION
h = 850

TOLLERANZE / TOLERANCES							
LUNGHEZZA	ANGOLI	SMUSSI	RAGGI				
LENGTH	ANGLES	BEVELS	RADIUS	INDICE	NATURA DELLA MODIFICA	DATA	FIRMA
UNI - ISO 27168 mm				DENOMINAZIONE / DENOMINATION			
FORI / HOLES	ALBERI / SHAFTS	OVER GROUND HYDRANT GARDA UNI EN 14384 C h=850				F	
H13	H13	MATERIALE / MATERIAL				DISEGNATO / DRAWN DATA	FIRMA
SCALA / SCALE		1:6 SU (A4)		DUREZZA / HARDNESS	PESO / WEIGHT	VERIFICATO / CONTROLLED DATA	FIRMA
RESISTENZA / STRENGTH		TRATTAMENTO / TREATMENT		CODICE / CODE			
				sez-Art4 IN Rev.4			

A termini di legge è vietato l'uso, la divulgazione e la riproduzione senza l'autorizzazione scritta della ZIGGIOTTO & C.