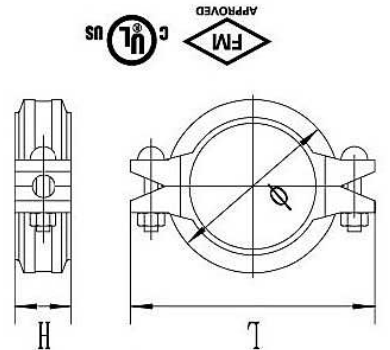


Nominal Size mm/in	Pipe O.D mm/in	Working Pressure PSI/MPa	Bolt Size	No.-Size mm	Dimensions mm/in			UL	FM
					Ø	L	H		
25	33.7	500	2-M10x45	60	102	45	1.772	45	•
32	42.4	500	2-M10x45	70	106	44	1.732	44	•
1¼	1.669	3.45	2-M10x45	2.756	4.173	44	1.732	44	•
40	48.3	500	2-M10x45	73	108	44	1.732	44	•
1½	1.900	3.45	2-M10x45	2.874	4.252	44	1.732	44	•
50	60.3	500	2-M10x55	87	123	44	1.732	44	•
2	2.375	3.45	2-M10x55	3.425	4.843	44	1.732	44	•
65	76.1	500	2-M10x55	103	142	45	1.772	45	•
2½	2.875	3.45	2-M10x55	3.937	5.433	44	1.732	44	•
80	88.9	500	2-M12x60	117	166	45	1.772	45	•
3	3.500	3.45	2-M12x60	4.606	6.535	45	1.772	45	•
100	114.3	500	2-M12x65	139	190	49	1.929	49	•
4	4.500	3.45	2-M12x65	5.472	7.480	49	1.929	49	•
125	139.7	400	2-M12x75	168	218	49	1.929	49	•
5	5.500	2.75	2-M12x75	6.614	8.583	49	1.929	49	•
150	165.1	400	2-M12x75	193	241	49	1.929	49	•
6	6.500	2.75	2-M12x75	7.598	9.488	49	1.929	49	•
150	168.3	400	2-M12x75	198.5	249	50	1.969	50	•
6	6.625	2.75	2-M12x75	7.815	9.803	50	1.969	50	•
200	219.1	300	2-M16x85	253	320	59	2.323	59	•
8	8.625	2.07	2-M16x85	9.961	12.598	59	2.323	59	•
250	273	300	2-M22x130	335	426	68	2.677	68	•
10	10.748	2.07	2-M22x130	13.189	16.772	68	2.677	68	•
300	323.9	300	2-M22x130	380	470	65	2.559	65	•
12	12.752	2.07	2-M22x130	14.96	18.504	65	2.559	65	•



Rigid Coupling

Our tongue and groove design rigid coupling can be used where rigidity is required. The built-in teeth firmly grasp the pipe ends to eliminate undesired flex. The specific times list shall be subject to the public notice of FM and UL website.

Ziggiotto & C srl
 Via del Lavoro, 4 Fraz. Tombazosana - 37055 Ronco all'Adige (VR)
 tel (0039) 045 7000427 - fax (0039) 045 6609022
 C.F. 02531990246 - P.IVA 02835970233
 Web: www.ziggiotto.it - E-mail: ziggiotto@ziggiotto.it

