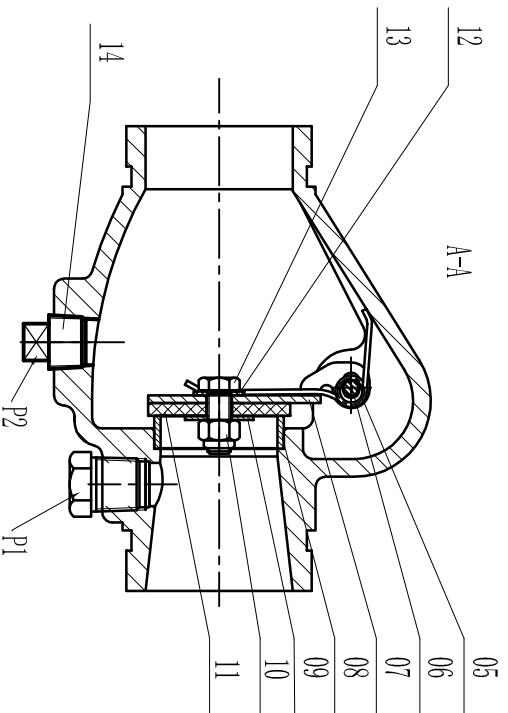
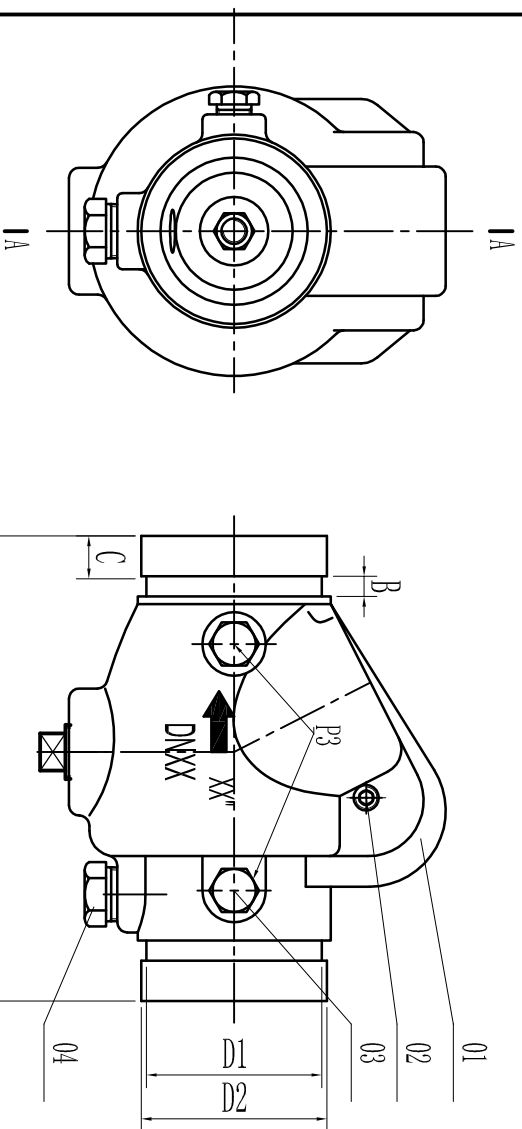


SIZE	ITEM	L	D1	D2	B	C	P1	P2	P3
2"	169	57.15	60.3	7.95	15.88	15.88	Rd/2-14	Rd/2-14	Rd/2-14
2.5"	181	69.09	73	7.95	15.88	15.88	Rd/2-14	Rd/2-14	Rd/2-14
3"	198	84.94	88.9	7.95	15.88	15.88	Rd/2-14	Rd/2-14	Rd/2-14
4"	214	110.08	114.3	9.53	15.88	15.88	Rd/2-14	Rd/2-14	Rd/2-14
5"	248	135.48	139.7	9.53	15.88	15.88	Rd/2-14	Rd/2-14	Rd/2-14
6"	270	160.08	164.3	9.53	15.88	15.88	Rd/2-14	Rd/2-14	Rd/2-14
8"	325	214.4	218.7	11.13	19.05	19.05	Rd/2-14	Rd/2-14	Rd/2-14
10"	457	268.3	273	12.7	19.05	19.05	Rd/2-14	Rd/2-14	Rd/2-14
12"	535	318.3	323.9	12.7	19.05	19.05	Rd/2-14	Rd/2-14	Rd/2-14



**TECHNICAL SPECIFICATION**  
**1. GROOVE STANDARD: METRIC ORAWMA C606;**  
**2. NOMINAL PRESSURE: 350PSI, 300PSI, 250PSI, 200PSI, 175PSI OR PN16.**  
**3. EXISTENCE OF TAPPED HOLES P1, P2 AND P3 UPON CLIENTS REQUEST.**

14	Plug	1	1045, ASTM A29
13	Bolt	1	S.S.304, ASTM A276
12	Gasket	1	EPDM, ASTM D2000
11	Facing Seal	1	EPDM, ASTM D2000
10	Locknut	1	S.S.304, ASTM A276
9	Clamping Ring	1	S.S.304, ASTM A276
8	Seat	1	C98400, ASTM B148
7	Clapper	1	S.S.304, ASTM A276
6	Hinge Pin	1	S.S.304, ASTM A276 OR D1,ASTM A536 Grade 65-45-12
5	Spring	1	S.S.304, ASTM A276
4	Plug	1	1045, ASTM A29
3	Plug	2	1045, ASTM A29
2	Bolt	2	1045, ASTM A29
1	Valve Body	1	D1,ASTM A536 Grade 65-45-12

NO.	NAME	QTY.	MATERIAL
<b>TOLERANCE / TOLERANZE</b>			
<b>UNI - ISO 27168 mm</b>			
<b>FOR/ HOLES ALBERI/ SHAFTS H13</b>			
<b>SCALA / SCALE MATERIALE / MATERIAL 1:3 SU (A3)</b>			

**ZIGGIOTTO & C.**  
**RONCO ALL'ADIGE**  
**VERONA - ITALIA**

**VERNICIATURA sch-ART112 Rev.0**

**RESISTENZA / STRENGTH**

**15/11/19**

**VM**

**15/11/19**

**FRMA**

A meno di legge e senza bias, le designazioni e le riproduzioni sono considerate senza autorizzazione scritta dalla ZIGGIOTTO & C. s.p.a. (www.ziggiotto.it) - Tel. 045/4600000 - Fax 045/4600001