

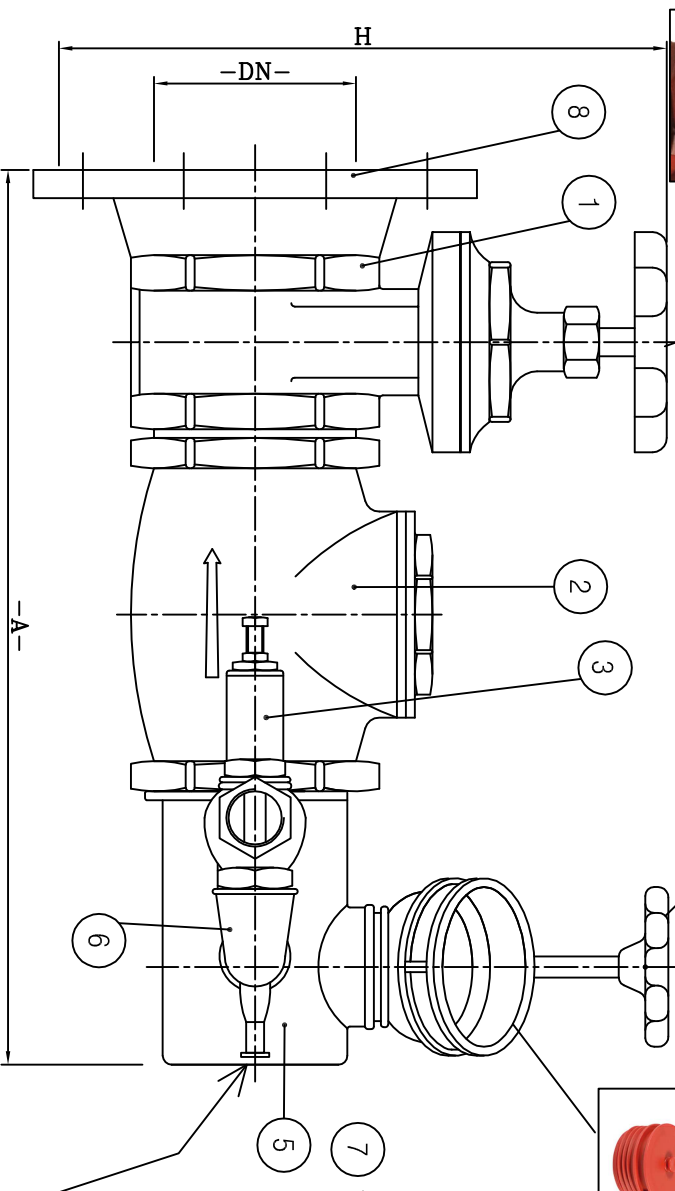
gate valve with open/close indicator, lockable while open.  
It complies with UNI 10779 and UNI 11443 standards.

**N.B.** In order to check if assembling and installation are correct, just keep gate valve open and open also UNI 70 connections: there must be NO water flowing out from outlets.

**MATERIALS:**  
BRASS - CAST IRON - STEEL

**PAINTING:**  
RED RAL 3000

**FEATURES:**  
-FIRE BRIGADE CONNECTION:  
UNI 70 WITH SPINDLE  
- CONNECTION TO MAIN PIPE:  
FLANGE PN 16.



N.B= We can also supply brass cap.

**Attenzione**

If connection diameter is bigger than 4", gate and check valves will be supplied in cast iron and main body in carbon steel.

Automatic drain system

**NOTA:** lenght H refers to maximum height (with gate valve or hydrant valve fully open).

| Flanged | DN     | Outlets | -A- mm | -H- mm |
|---------|--------|---------|--------|--------|
| A1250F  | 2"     | 1x70    | 355    | 315    |
| A1250DF | 2"     | 2x70    | 490    | 315    |
| A1251F  | 2 1/2" | 1x70    | 370    | 270    |
| A1252F  | 2 1/2" | 2x70    | 505    | 270    |
| A1253F  | 3"     | 1x70    | 390    | 300    |
| A1254F  | 3"     | 2x70    | 520    | 300    |
| A1255F  | 4"     | 1x70    | 430    | 320    |
| A1256F  | 4"     | 2x70    | 560    | 320    |
| A1257F  | 4"     | 3x70    | 700    | 320    |

|    |         |               |                        |                  |     |
|----|---------|---------------|------------------------|------------------|-----|
| 08 | -       | FLANGE        | UNI 70 PLASTIC CAP     | GJS200           | 1   |
| 07 | 5A055AP | FLANGE        | UNI 70 PLASTIC CAP     | POLYPROPYLENE    | 1/2 |
| 06 | 4R04XX  | ELBOW 90°     | ELBOW 90°              | GALVANIZED STEEL | 1   |
| 05 | 1G00DXX | CORPO GRUPPO  | MOTOPOMPA              | GHISA GJS200     | 1   |
| 04 | 4R0005  | HYDRANT VALVE | 70 X 2"                | OT 58 - EN 1982  | 1   |
| 03 | 4R03XX  | SAFETY VALVE  | VALVOLA CLAPPEL OTTONE | OT 58 - EN 1982  | 1   |
| 02 | 4R02XX  | SAFETY VALVE  | VALVOLA CLAPPEL OTTONE | OT 58 - EN 1982  | 1   |
| 01 | 4R01XX  | GATE VALVE    | GATE VALVE             | OT 58 - EN 1982  | 1   |

**Pos. Codice**      **Descrizione**      **Materiale**      **Q.tà**

| TOLERANCE / TOLERANCES                                | INDICE | NATURA DELLA MODIFICA | DATA | FIRMA |
|---|--------|-----------------------|------|-------|
| LINGUEZZA ANGOLI SWISSI RAGGI                         |        |                       |      |       |
| LINGHERZA ANGLES BEVELS RADII                         |        |                       |      |       |
| UNI - ISO 27168 m                                     |        |                       |      |       |
| FORI / HOLES ALBERI / SHAFTS H13                      |        |                       |      |       |
| SCALA / SCALE H13                                     |        |                       |      |       |
| 1:3 SU (A3)   |        |                       |      |       |
| <b>FLANGED FIRE BRIGADE CONNECTION UNI 10779:2014</b> |        |                       |      |       |
| MATERIALE / MATERIAL OTTONE - GHISA                   |        |                       |      |       |
| DUREZZA / HARDNESS PESO / WEIGHT                      |        |                       |      |       |
| RESISTENZA / STRENGTH                                 |        |                       |      |       |
| VERNICIATURA sch-AR190/a                              |        |                       |      |       |
| TRATTAMENTO/TREATMENT                                 |        |                       |      |       |
| VERNICIATURA sch-AR190/a                              |        |                       |      |       |
| CODICE / CODE   |        |                       |      |       |
| sch-AR190/a   |        |                       |      |       |
| DESIGNNO / DRAWING DATA                               |        |                       |      |       |
| VM  |        |                       |      |       |
| 04/12/2019  |        |                       |      |       |
| REPERITO/CONTROLLED DATA                              |        |                       |      |       |
| FIRMA   |        |                       |      |       |

**ZIGGIOTTO & C.**  
RONCO ALL'ADIGE  
VERONA - ITALIA

A termini di legge è veduto l'uso, la divulgazione e la riproduzione senza l'autorizzazione scritta della ZIGGIOTTO & C.