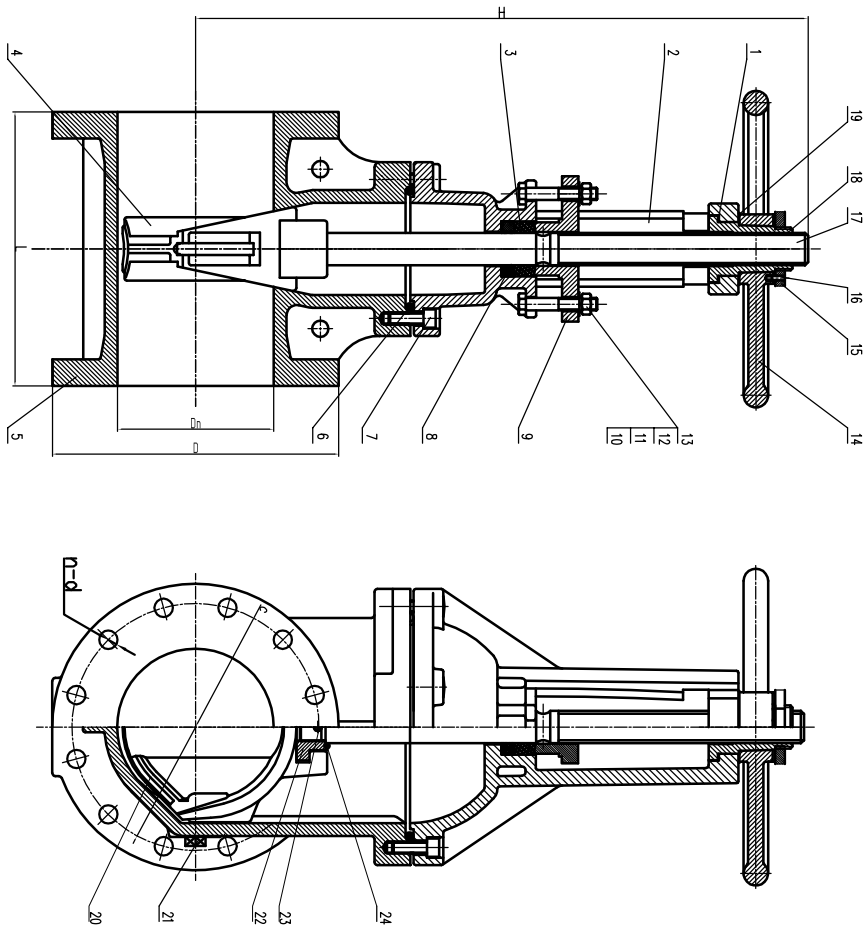
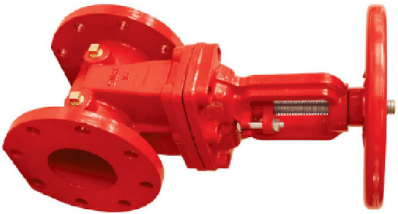




TECHNICAL SPECIFICATION
 1. DESIGN STANDARD: AWMA C515.
 2. NOMINAL PRESSURE: 300PSI.
 3. FLANGE STANDARD: ASME/ANSI B16.1 Class 125 OR ASME/ANSI B16.42 Class 150 OR BS EN1092-2 PN16
 OR GB/T9113.1.
 4. FACE TO FACE STANDARD: ASME B16.10
 5. ELECTROSTATIC SPRAYING BOTH INSIDE AND OUTSIDE OF THE BODY.



DN300	356	1031	460	410	12- ϕ 28
DN250	330	890	405	355	12- ϕ 28
DN200	292	754	340	295	12- ϕ 23
DN150	267	607	285	240	8- ϕ 23
DN125	254	547	250	210	8- ϕ 19
DN100	229	447	220	180	8- ϕ 19
DN80	203	420	200	160	8- ϕ 19
DN65	190	370	185	145	4- ϕ 19
DN	L	H	ϕ D	C	n-d



24	SEALING RING	1	EPDM	GB/T 3452.1-2005
23	PIN	1	S.S.304	GB 119.1-2000
22	MH-11ZR-NPSM-11 LIFTING NUT	1	CF8M	
21	MH-11ZR-NPS-11 PLUG	2	C95400	
20	MH-11ZR-NPS-14 SKELETON	1	DI	
19	MH-11ZR-NPSM-10 GASKET	1	C95400	
18	MH-11ZR-NPSM-09 STEM NUT	1	C95400	
17	MH-11ZR-NPSM-08 STEM	1	S.S.304	
16	LOCATING SCREW	1	S.S.304	GB/T 72-1988
15	MH-11ZR-NPSM-07 LOCK NUT	1	C95400	
14	MH-11ZR-NPSM-06 HANDWHEEL	1	DI	
13	SPRING WASHER	2	Steel	GB/T 93-1987
12	BOLT	2	Steel	GB/T 5782-2000
11	FLAT WASHER	2	Steel	GB/T 95-2002
10	NUT	2	Steel	GB/T 6170-2000
9	MH-11ZR-NPSM-05 GLAND	1	DI	
8				
7	BOLT	m	Steel	GB/T 70-2000
6	MH-11ZR-NPS-06 SEALING RING	1	EPDM	
5	MH-11ZR-NPS-05 BODY	1	DI	
4	MH-11ZR-NPS-04 DISC	1	EPDM+DI	
3	MH-11ZR-NPSM-03 PACKING	3	GRAPHITE	
2	MH-11ZR-NPSM-02 BONNET	1	DI	
1	MH-11ZR-NPSM-01 GASKET	1	C95400	
NO	NAME	QTY	MATERIAL	REMARK

TOLERANZE / TOLERANCES		INDICE		NATURA DELLA MODIFICA		DATA		FIRMA	
LUNGHEZZA / LENGTH	ANGOLI / ANGLES	SMUSSI / RADIUS	RAZZI / RADIUS						
UNI - ISO 27168	mm								
FORI / HOLES		ALBERI / SHAFTS		DENOMINAZIONE / DENOMINATION		RESISTENZA / STRENGTH		TREATMENT/TREATMENT	
H13	H13	SCALA / SCALE	SCALA / SCALE	SARACINESCA OS&Y MOD. NIAGARA		DUREZZA / HARDNESS		PESO / WEIGHT	
				MATERIALE / MATERIAL		MATERIALE / MATERIAL		DISSEGNO/ DRAWING DATA	
								28/07/2018	
								VM	
								REPORT/CONTROL DATA	
								FIRMA	



ZIGGIOTTO & C.
 RONCO ALLADIGE
 VERONA - ITALIA

A termini di legge è veduto l'uso, la divulgazione e la riproduzione senza l'autorizzazione scritta della ZIGGIOTTO & C.

Sch-Art 400 Rev.1